

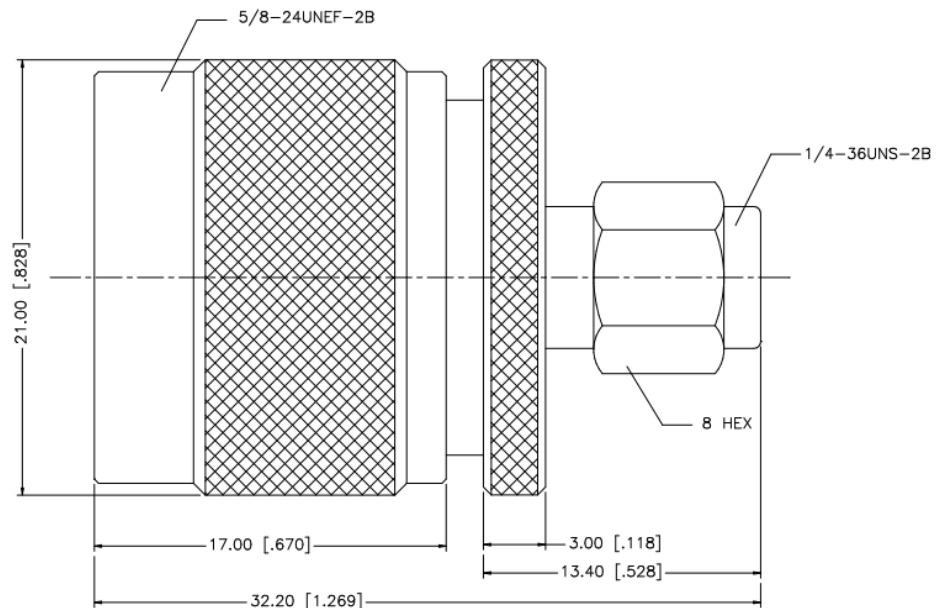
Description

Adapters have a wide range of adapters in various configurations like within series or between series, straight or angled designs and some with panel mount features. They are classified according its typical intended applications of which each require its specific properties.

Adapter, N Plug to SMA Plug

PART No: VSW-AD-242114-S

Brand	Amphenol
Orientation	Straight
Impedance (Ohms)	50
Adapter Side 1	N-Type
Side 1 Gender	Plug
Adapter Side 2	SMA
Side 2 Gender	Plug
Body Finish	Nickel
Body Material	Brass
Contact Finish	Gold
Contact Material	Brass
Insulator Material	PTFE
Max Frequency (GHz)	11
Min. Temp. (Celsius)	-65
Max. Temp. (Celsius)	165
Weight (Grams)	38.5



VINSURWAVES

Address: No 07, Muninanjareddy building, 1st Main, Thirupalaya(Near Venkateshwara Temple), Bommasandra Industrial Area, (Near Electroncity), Bangalore-560099, INDIA, Phone: 080-28520115, Mob: +91- 9886991616, E-mail: info@vinsurwaves.com | Website: www.vinsurwaves.com.